

## HBD1PR1/HBD3PR1/HBD3PR2

### Performance Series IP 1.3 MP/3 MP True Day/Night IR Indoor/Outdoor Bullet Camera

The HBD1PR1, HBD3PR1, and HBD3PR2 are affordable, fully featured IP cameras that pair perfectly with a 4/8/16-channel Performance Series Embedded NVR\*.

#### Superior Image Quality

- HBD3PR1/HBD3PR2: 3 MP (20 fps) and Full HD 1080p (25/30 fps) image with 1/3" 3 MP sensor, true widescreen image on a 16:9 display, 12.5% more horizontal pixel density than conventional 3 MP 4:3 (2048x1536) cameras
- HBD1PR1: 1.3 MP (25/30fps) and HD 720p (25/30 fps) image with 1/3" 1.3 MP sensor
- True Day/Night capability, vivid colour pictures by day and clear black-and-white pictures at night with ICR
- Excellent low-light performance with 3D Noise Reduction, saving storage and bandwidth together with H.264 High Profile codec

#### Flexible Surveillance Solution

- IR LEDs provide up to 30 m (100 ft) of illumination in dimly lit or nighttime scenes
- Smart IR technology for even distribution of IR
- Waterproof (IP66) camera housing is perfect for outdoor installations
- 2.7–12 mm F1.4 motorized focus/zoom lens (HBD3PR2) and 3.6 mm F2.1 fixed lens (HBD1PR1/HBD3PR1) provide wide range of field of view options
- Monitor from anywhere using HonView Touch mobile app for both Apple® and Android™ smart phones and tablet computers
- Configurable motion detection and camera tamper detection settings, including configurable alarm notifications

#### Easy to Install and Use

- Compact design for fast, easy installation
- Built-in PoE (Power over Ethernet) eliminates separate power supply and associated wiring; 12 V DC inputs where PoE power is unavailable
- Plug-and-play with a Honeywell 4/8/16-channel Performance Series Embedded NVR
- Remote configuration, motorized zoom adjustments and auto focus (HBD3PR2) through Honeywell Viewer web client or Embedded NVR

#### Onboard Video Storage

- HBD3PR2: Supports up to 128 GB microSDHC (Class 10) card for local video storage when network is interrupted (card not included)

#### Market Opportunities

These fully featured IP cameras perfectly complement your Embedded IP NVR and are an excellent, cost-effective option for both indoor and outdoor surveillance applications, including retail stores, schools, colleges, hospitals, commercial sites, industrial parks, airports, gated entrances, loading docks, and driveways.



HBD3PR2



HBD1PR1/HBD3PR1



\* The 4 channel NVR models do not support 3MP cameras unless they are in 1080p mode

# HBD1PR1/HBD3PR1/HBD3PR2 Specifications

MODEL	HBD1PR1	HBD3PR1	HBD3PR2
<b>CAMERA</b>			
IMAGE SENSOR	1/3" 1.3 megapixel progressive scan CMOS	1/3" 3 megapixel progressive scan CMOS	
EFFECTIVE PIXELS	1280 (H) × 960 (V)	2304 (H) × 1296 (V)	
ELECTRONIC SHUTTER SPEED	Auto/Manual, 1/3–1/30000 s	Auto/Manual, 1–1/100000 s	Auto/Manual, 1/3(4)–1/100000 s
MIN. ILLUMINATION	0.08 lux, F2.1 (Colour); 0 lux (IR LEDs on)	0.045 lux, F2.1 (Colour); 0 lux (IR LEDs on)	0.1 lux, F1.4 (Colour); 0 lux (IR LEDs on)
S/N RATIO	More than 50 dB		
<b>CAMERA FEATURES</b>			
IR DISTANCE	Up to 30 m (100 ft), depending on scene reflectance		
DAY/NIGHT	Auto(ICR)/Colour/BW		
BACKLIGHT COMPENSATION	BLC/HLC/DWDR		
WHITE BALANCE	Auto/Manual		
GAIN CONTROL	Auto/Manual		
NOISE REDUCTION	3D		
PRIVACY MASKING	Up to 4 areas		
<b>LENS</b>			
FOCAL LENGTH	3.6 mm		2.7–12 mm
MAX. APERTURE	F2.1		F1.4
FOCUS CONTROL	Fixed		Auto
HORIZONTAL ANGLE OF VIEW	71°	81°	86°–28°
LENS TYPE	Fixed		Motorized focus/zoom
<b>VIDEO</b>			
COMPRESSION	H.264 (Main/High/Baseline Profile)/MJPEG		
RESOLUTION	1.3 MP (1280×960), 720p (1280×720), D1 (704×576/704×480), CIF (352×288/352×240)	3 MP (2304×1296), 1080p (1920×1080), 720p (1280×720), D1 (704×576/704×480), CIF (352×288/352×240)	
FRAME RATE	MAIN STREAM	1.3 MP, 720p (1–25/30 fps)	3 MP (1–20 fps), 1080p (1–25/30 fps)
	SUB STREAM	D1, CIF (1–25/30 fps)	
BIT RATE	H.264: 4–8192 kbps		
CORRIDOR MODE	Support		
<b>NETWORK</b>			
ETHERNET	RJ-45 (10/100Base-T)		
PROTOCOL	IPv4/IPv6, HTTP, HTTPS, TCP/IP, UDP, UPnP, ICMP, IGMP, RTSP, RTP, SMTP, NTP, DHCP, DNS, PPPoE, DDNS, FTP, IP Filter, QoS, 802.1X (excludes HBD1PR1).		
COMPATIBILITY	ONVIF Profile S, Profile G (HBD3PR2 only)		
MAX. USER ACCESS	20 users		
MOBILE APP	HonView Touch for iPhone, iPad, Android Phone and Tablet		
<b>AUXILIARY INTERFACE</b>			
MEMORY SLOT	N/A		microSD (128 GB)
<b>GENERAL</b>			
POWER SUPPLY	PoE (802.3af), 12 V DC		
POWER CONSUMPTION	4.8 W max. (IR LEDs on)	4.7 W max. (IR LEDs on)	8.5 W max. (IR LEDs on)
WORKING ENVIRONMENT	–30°C to 60°C (–22°F to 140°F); 10% to 100% RH, condensing		
INGRESS PROTECTION	IP66		
DIMENSIONS	165.0 × 70.0 mm (6.5" × 2.76")		214.8 × 90.4 mm (8.46" × 3.56")
WEIGHT	0.38 kg (0.84 lb)	0.38 kg (0.84 lb)	0.65 kg (1.43 lb)
REGULATORY	FCC, Part 15B, Class B		

# HBD1PR1/HBD3PR1/HBD3PR2 Ordering

## RECOMMENDED ACCESSORIES

### MOUNTS

HBS2-BB	Junction Box
HEJB	Junction Box (for HBD1PR1 and HBD3PR1 only)
HB34S2-CM	Corner Mount (for use with HBS2-BB or HEJB)
HQA-PM	Pole Mount (for use with HBS2-BB or HEJB)

### SYSTEM COMPATIBILITY

HEN041**(X)	H.264 4-Channel 1080p Embedded Network Video Recorder (1 or 2 TB)*
HEN081**(X)	H.264 8-Channel 1080p Embedded Network Video Recorder (2, 4 or 6 TB)
HEN161**(X)	H.264 16-Channel 1080p Embedded Network Video Recorder (3 or 6 TB)

\* The 4 channel NVR models do not support 3MP cameras unless they are in 1080p mode

\*\* denotes additional NVR model options

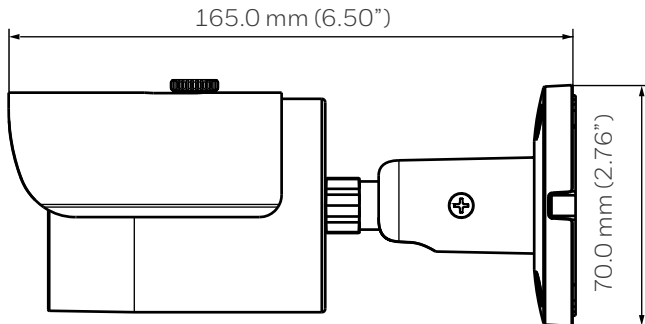
## ORDERING

### HONEYWELL PERFORMANCE SERIES IP CAMERAS

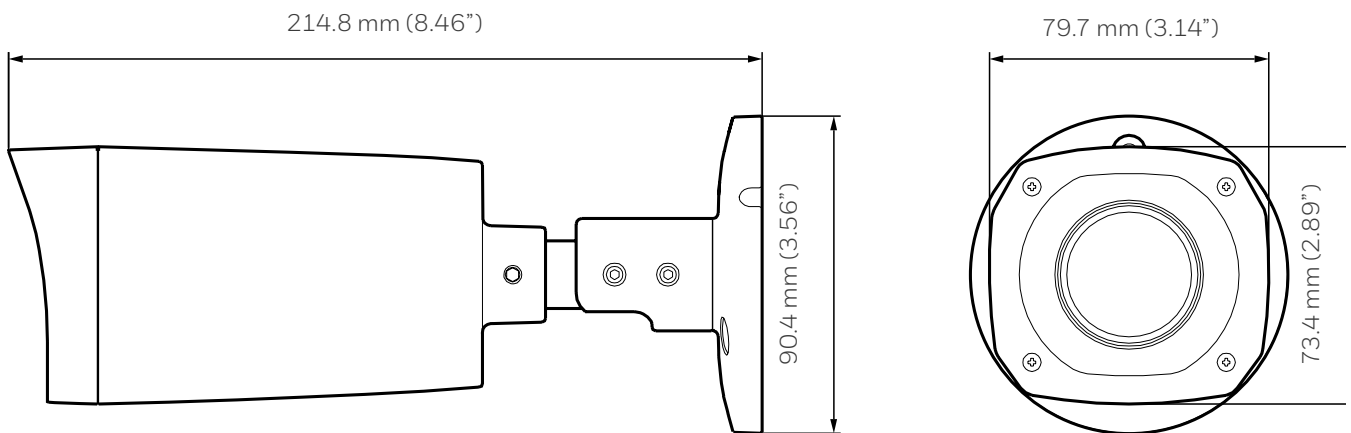
HBD1PR1	Network TDN IR Indoor/Outdoor Bullet Camera, 1/3" CMOS, 1.3 MP, 3.6 mm Fixed, 24 IR LEDs, PoE, H.264
HBD3PR1	Network TDN IR Indoor/Outdoor Bullet Camera, 1/3" CMOS, 3 MP, 3.6 mm Fixed, 24 IR LEDs, PoE, H.264
HBD3PR2	Network TDN IR Indoor/Outdoor Bullet Camera, 1/3" CMOS, 3 MP, 2.7-12 mm MFZ, 24 IR LEDs, PoE, H.264

## DIMENSIONS

### HBD1PR1/HBD3PR1



### HBD3PR2



**Find out more:**

[www.security.honeywell/performance\\_uk](http://www.security.honeywell/performance_uk)  
Email: [securitysales@honeywell.com](mailto:securitysales@honeywell.com)

**Honeywell Security and Fire**

Europe, Middle East and Africa

**United Kingdom**

Aston Fields Road  
Whitehouse Industrial Estate Runcorn  
Cheshire  
WA7 3DL  
United Kingdom  
Tel: +44 (0)8448 000 235  
[www.honeywell.com/security/uk](http://www.honeywell.com/security/uk)

**Middle East**

Emaar Business Park, Sheikh Zayed Road  
Building No. 2, 3rd Floor, Office No. 301  
Post Office Box 232362  
Dubai  
United Arab Emirates  
Tel: +971 44541704  
[www.honeywell.com/security/me](http://www.honeywell.com/security/me)

**South Africa**

Honeywell House – Treur Close Waterfall Park  
Gauteng  
PO Box 6674  
Midrand 1685  
South Africa  
Tel: +27 (0)11 695 8000  
[www.honeywell.com/security/za](http://www.honeywell.com/security/za)

**Italy**

Via della Resistenza, 53/59  
20090 Buccinasco  
Milano  
Italia  
Tel: +39 (0) 248 880 51  
[www.honeywell.com/security/it](http://www.honeywell.com/security/it)