



**617: The new electromechanical barrier.**  
Simplicity in motion.

**FAAC**  
*Simply automatic.*



# 617: The simple, reliable electromechanical barrier

## **Irreversible electromechanical operator**

The irreversible motor guarantees holding of the boom position to prevent break-in attempts.

## **Rapid conversion from right to left version**

Changing the opening side is an easy task and can be carried out directly on-site. No need to keep multiple products in stock.

## **Solid, sturdy body**

The weather-resistant zinc-coated steel body is treated with polyester powder paint finish.

## **Ideal for medium transit frequency passageways and for controlling access to small or medium-size private areas and car parks.**

With its flexible length up to 7 metres long and 2.5 second opening time the barrier is ideal for residential applications, condominiums and small car parks.

## **Manual release with spanner**

Releasing the barrier is easy simply by using a spanner.



### Automatic set-up through self-learning

Setting up the barrier for operation is very quick and extremely easy with the self-learning function.

### Compatible with rectangular and round booms, optional indicator lights

The 617 is compatible with existing rectangular or round FAAC booms; the latter are suitable for installing lights suitable for installing integrated beam lights.



### Easy installation

The large power cable routing hole, the removable side hatch and the ample operating space inside make installation easy and very fast.

### Adjustable opening and closing deceleration, smooth movements

Electric limit switches and mechanical stops for adjusting the end of the opening and closing strokes ensure smooth boom movements.

### Large internal space to facilitate installation and arrangement of accessories

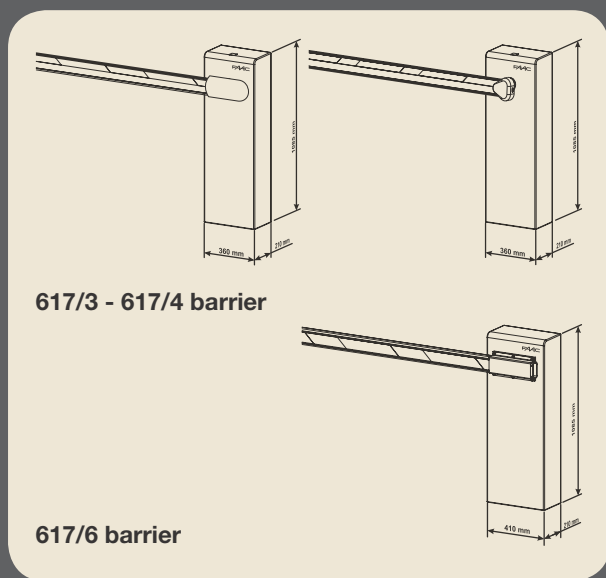
Plenty of free space is provided inside to allow a high degree of freedom for housing accessories and for installation.

### Preset logic electronics for quick, user-friendly barrier configuration

The control board has no fewer than seven preset boom operating logics to choose from. No manual parameter setting is needed.

## DIMENSIONS AND TECHNICAL SPECIFICATIONS

MODEL	617		
	3	4	6
Power supply voltage	230 V~, 50/60 Hz		
Electric motor	Electromechanical, grease-lubricated		
Power consumption (W)	315	380	
Absorbed current (A)	1.1	1.7	
Thermal protection (°C)	140		
Capacitor (µF)	12.5		
Effective torque (Nm)	60	100	150
Opening time (s)	2.5	5	8
Max. boom length (m)	3	5	7
Type and frequency of use at 20°C	S3 - 50%		S3 - 60%
Ambient temperature (°C)	-20		+55
Operator weight (kg)	63	69	
IP protection rating	IP 44		
Electronic board	615BPR		
Cabinet colour	Grey (RAL 9006)		
Cabinet size (mm)	360x210x1085 (booms up to 5 m long) 410x210x1085 (booms up to 7 m long)		
Boom type	Compatible with current FAAC round and rectangular booms		
Lights on boom	Yes, with round booms only (optional)		



## SPECIFIC ACCESSORIES FOR ROUND BOOMS



■ Boom light connection kit



■ Luminous cord 5 m

## SPECIFIC ACCESSORIES FOR RECTANGULAR BOOMS



■ Articulation kit

## HEADQUARTERS

### ITALY

FAAC SpA  
Via Calari 10 - 40069 Zola Predosa (BO)  
Tel. +39 051 61724 - Fax +39 051 758518  
it.info@faacgroup.com - www.faacgroup.com

## SUBSIDIARIES

### ASIA - PACIFIC

FAAC MALAYSIA  
Selangor, Malaysia  
tel. +60 3 5123 0033  
www.faac.international

### AUSTRALIA

FAAC AUSTRALIA PTY LTD  
Homebush – Sydney, Australia  
tel. +61 2 87565644  
www.faac.com.au

### AUSTRIA

FAAC GMBH  
Salzburg, Austria  
tel. +43 662 8533950  
www.faac.at

FAAC TUBULAR MOTORS  
tel. +49 30 56796645  
faactm.info@faacgroup.com  
www.faac-tubularmotors.com

### BENELUX

FAAC BENELUX NV/SA  
Brugge, Belgium  
tel. +32 50 320202  
www.faacbenelux.com

FAAC TUBULAR MOTORS  
7007 CN Doetinchem, The Netherlands  
tel. +31 475 406014  
faactm.info@faacgroup.com  
www.faac-tubularmotors.com

KEMKO AUTOMATIC ENTRANCES  
7007 CN Doetinchem, The Netherlands  
tel. +31 314 378777  
www.kemko.nl

### BRAZIL

INDÚSTRIAS ROSSI ELETROMEÇÂNICA SA  
Brasília DF, Brazil  
tel. +55 61 33998787  
www.rossiportoes.com.br

### CHINA

FAAC SHANGHAI  
Shanghai, China  
tel. +86 21 68182970  
www.faacgroup.cn

### FRANCE

FAAC FRANCE  
Saint Priest - Lyon, France  
tel. +33 4 72218700  
www.faac.fr

FAAC FRANCE - AGENCE PARIS  
Massy - Paris, France  
tel. +33 1 69191620  
www.faac.fr

FAAC FRANCE - DEPARTEMENT VOILETS  
Saint Denis de Pile - Bordeaux, France  
tel. +33 5 57551890  
www.faac.fr

### GERMANY

FAAC GMBH  
Freilassing, Germany  
tel. +49 8654 49810  
www.faac.de

FAAC TUBULAR MOTORS  
tel. +49 30 56796645  
faactm.info@faacgroup.com  
www.faac-tubularmotors.com

### INDIA

FAAC INDIA PVT. LTD  
Noida – Delhi, India  
tel. +91 120 3934100/4199  
www.faacindia.com

### IRELAND

NATIONAL AUTOMATION LTD  
Co. Roscommon, Ireland  
tel. +353 71 9663893  
www.nal.ie

### MIDDLE EAST

FAAC MIDDLE EAST FZE  
Dubai Silicon Oasis Operation Center - Dubai, UAE  
tel. + 971 4 3724190  
www.faac.ae

### POLAND

FAAC POLSKA SP.ZO.O  
Warszawa, Poland  
tel. +48 22 8141422  
fax +48 22 8142024  
www.faac.pl

### RUSSIA

FAAC RUSSIA  
Moscow, Russia  
tel. +7 (495) 646 24 29  
www.faac.ru

### SCANDINAVIA

FAAC NORDIC AB  
Perstorp, Sweden  
tel. +46 435 779500  
www.faac.se

### SOUTH AFRICA

FAAC SOUTH AFRICA  
2040 Johannesburg  
tel. +27 11 794 4525  
www.faac.international

### SPAIN

CLEM, S.A.U.  
San Sebastián de los Reyes - Madrid, Spain  
tel. +34 91 3581110  
www.faac.es

### SWITZERLAND

FAAC AG  
Altdorf, Switzerland  
tel. +41 41 8713440  
www.faac.ch

### TURKEY

FAAC OTOMATİK GEÇİŞ SİSTEMLERİ  
SAN. VE TİC. LTD. SIRTEKI  
İstanbul, Turkey  
tel. +90 (0)212 - 3431311  
www.faac.com.tr

### UNITED KINGDOM

FAAC UK LTD.  
Basingstoke Hampshire, UK  
tel. +44 1256 318100  
www.faac.co.uk

### U.S.A.

FAAC INTERNATIONAL INC  
Rockledge, FL - U.S.A.  
tel. +1 866 925 3222  
www.faacusa.com

FAAC INTERNATIONAL INC  
Fullerton, California - U.S.A.  
tel. +1 714 446 9800  
www.faacusa.com

